



Gazebos

Installation Instructions

for all sizes of gazebos and stages

NOTES: Please check for any damage caused by the shipping company and take appropriate steps to file a claim, if needed.

*Please call **Digsafe** and check for any underground utilities before digging anywhere.

Materials needed

All gazebo pieces/parts, fasteners (included). Not included: 4'-6' level, 12" speed square, measuring tape, shovel, strapping for temporary bracing and stakes together with screws for the bracing (if needed), 2 x 4 x 10' temporary brace for hub, concrete for the footings (here is a simple calculator <https://www.concretenetwork.com/concrete/howmuch/calculator.htm>), water for mixing the concrete, drainage stone if required (at the base of the footings, if used, or under the gazebo), 4 inch perforated drainage pipe with sleeve (see note about drainage below), mini excavator or other means to excavate the 12 inch deep fall zone hole (sir desired), plate compactor, wheelbarrow and hoe or other combination for mixing concrete, flat deck/area for frame, 10 foot ladder.

Gazebos

Notes

Please study the attached drawings. They are for the 8 foot gazebo, but the process is the same for all sizes.

Note that the decking must be removed in places in order to fasten the columns to the perimeter beams. Replace when ready.

The gazebo stage has a 12"+/- high profile (depending on what size gazebo is ordered), so you can install it at any height above ground surface or make it flush with the surface. If accessibility is required, making it flush with the accessible path is easy, or you could install a shallow ramp from the path to the stage level (note the below note about drainage).

If you are placing it in-ground, you will be excavating a hole which can fill with water, so provide the appropriate drainage either to a dry well beneath the stage, to an underground drainage system, or to daylight.

Instructions

1. Remove items from pallet or packaging, and check to make sure there is no damage and that you have everything you need. We do our best to label everything with letters and/or numbers.
2. Move everything to your chosen location, and prepare the base if needed (see above) or start with locating and installing the sonotubes for footings (if desired).
3. To do this, the best way is to grab the deck frames and put them together on a flat surface, then move the deck into place and rotate it until you have the eight faces oriented the way you want them.
4. Mark the points of the octagon so you know where to dig your holes for the footings.
5. NOTE If you merely want to place the gazebo on a prepared surface, such as peastone or stone dust, then no holes need be dug.

Gazebos

Installation Instructions

for all sizes of gazebos and stages

6. Remove the deck and dig the footing holes to the required depth depending on your frost line. The holes should be slightly larger than the sonotubes. The rule of thumb is to use a tube diameter 3 times the post width.
7. Drop the sonotubes in the holes, plumb them, and backfill around them. Because it's critical that the tops of all the concrete footings are exactly level, you would save a lot of time if you could make the top of these tubes level. You can do this using the first tube as your base, and then using the 6' foot level to adjust all of the others.
8. Mix according to instructions and pour the concrete, making sure that the tops are all level with each other.
9. Once the concrete is set, and the tubes are trimmed down to the top of the concrete (if necessary), move the deck back into place.
10. Remove whatever decking is necessary to reach each "corner" of the octagon (under the deck), and mark the decking to make sure it goes back into the same spot.
11. At this point, you can decide whether you need to anchor the frame to the footings using L brackets and red heads (not supplied).
12. Then attach the columns to the frame as marked and using the hardware provided. You must make sure that the columns are plumb in two adjacent directions. You could use the strapping as temporary bracing, or just use the level and hope that everything stays plumb as you make all the other adjustments. We recommend bracing. You can also check measurements at the top of the columns to make sure that everything is accurately lined up.
13. Re-install any decking that was removed.
14. Next, install the perimeter beams at the **tops** of the posts. This helps lock everything together, so it is imperative that you continue checking the verticality of all the columns to make sure they are exactly plumb.
15. Now you're ready to install the roof sections, starting with the panel that has the center hub attached to the upper/pointed end. Set the lower/wide end of the panel on the perimeter beam where marked, and adjust the height of the hub according to the size of the gazebo. For the eight-foot gazebo, the bottom of the hub should be 7' 7" from the deck. For the 12' gazebo, the bottom of the hub is 8' 5-3/4" from the deck, and for the 16 foot gazebo, the bottom of the hub is 9' 4-11/16" from the deck.
16. Someone on a ladder can hold up the hub at the proper height until the opposite roof section is installed, or you can use the 10 foot long 2 x 4 (see materials list) as a temporary brace.
17. Make sure that the wide end of the roof panel is correctly positioned on the perimeter beam, and then toe screw the rafters (where the birds mouth cut outs are located) into the perimeter beam.
18. Find the opposite roof section, and install this the same way, attaching the pointed end cleat to the hub.
19. Install the next two sections that are perpendicular to these first two in the same way as above
20. Install the other roof sections marked.

Gazebos

Installation Instructions

for all sizes of gazebos and stages

21. NOTE: it's imperative that you continue checking all measurements and openings to make sure that the other roof sections will all fit together in between the ones that are already up, so as you go along, you may have to make micro adjustments.
22. Install the knee braces as marked.
23. Install the roof cap as marked.
24. The gazebo is complete and ready to enjoy!!
25. All wood is treated with kid-friendly preservative, but as is the case with all wood facing the elements, it needs to be cared for, so check on this periodically for rough spots, splinters, etc, and sand them out, and then treat it with kid-friendly wood preservative (we have it available if you can't find it) once or twice a year to keep the wood from deteriorating. You can use a garden sprayer to do this.

Stages

NOTE: The stage has a 12-1/4" high profile

NOTE: If you ordered the steps surrounding the stage, you must make sure that the compacted ground around the stage is flat at least 12" out from the sides of the octagon all the way around.

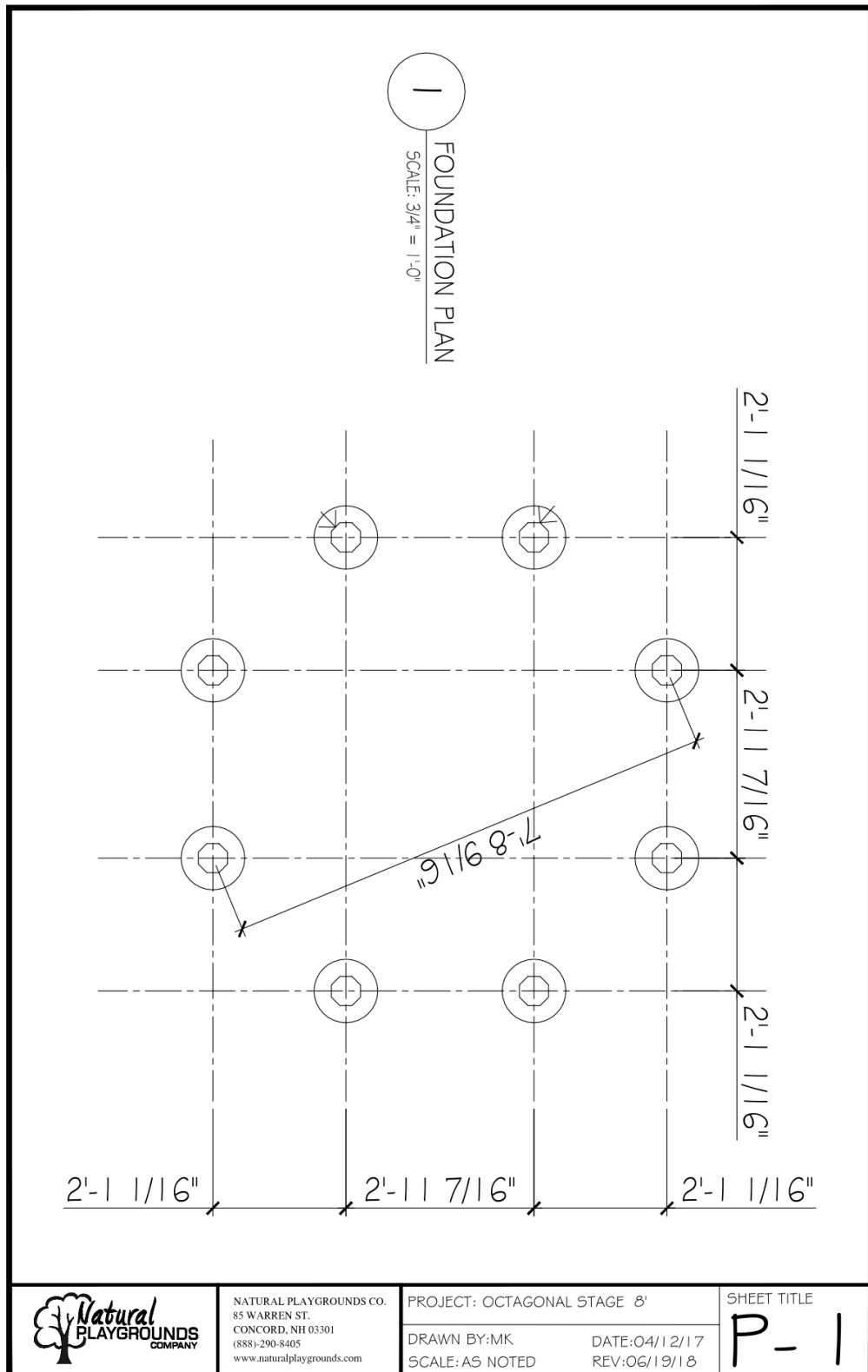
1. Follow steps 1-11 above
2. To install the steps, you may have to remove additional decking so you can access the back faces of each of the octagon's 8 sides.
3. There is a step box for each of the side-profile octagon faces (8 box steps).
4. 6 holes have been predrilled into each of these octagon faces. Locate the 3-1/8" structural screws, and place a step box in front of each of the faces. You must make sure that the 1-1/2" thick riser under the top of the step is facing the stage, and the thinner, 3/4" riser is facing the user.
5. The step boxes are 1" shorter than the length of the faces, so center each step on the face with the step base resting flat on the ground, and fasten the screws through the predrilled holes and into the backs of the step boxes. Pull tight.
6. Re-install any decking that was removed, and you're good to go!!!
7. All wood is treated with kid-friendly preservative, but as is the case with all wood facing the elements, it needs to be cared for, so check on this periodically for rough spots, splinters, etc, and sand them out, and then treat it with kid-friendly preservative such as Thompson's Waterseal (available at Lowes, Home Depot, etc).

Gazebos

Installation Instructions

for all sizes of gazebos and stages

**NOTE:
MEASURE-
MENTS WILL
VARY
DEPENDING
ON THE SIZE
OF YOUR
GAZEBO**



NATURAL PLAYGROUNDS CO.
85 WARREN ST.
CONCORD, NH 03301
(888)-290-8405
www.naturalplaygrounds.com

PROJECT: OCTAGONAL STAGE 8'
DRAWN BY: MK DATE: 04/12/17
SCALE: AS NOTED REV: 06/19/18

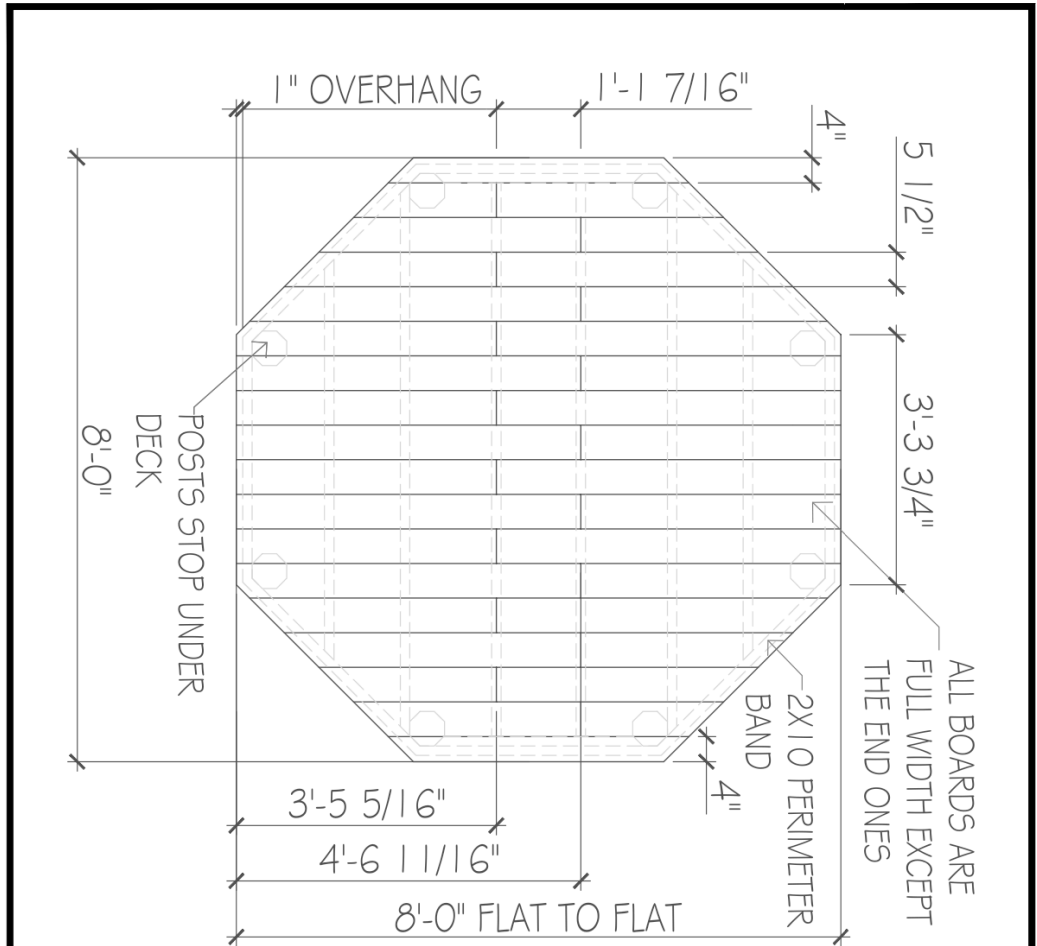
SHEET TITLE
P-1

Gazebos

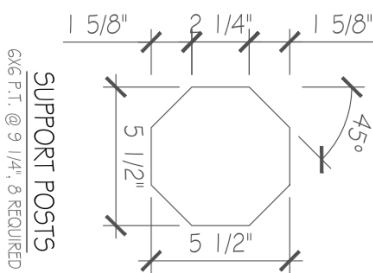
Installation Instructions

for all sizes of gazebos and stages


NOTE:
MEASURE-
MENTS WILL
VARY
DEPENDING
ON THE SIZE
OF YOUR
GAZEBO



2 SUPPORT POST DETAIL
 SCALE: 3/4" = 1'-0"



1 DECKING PLAN
 SCALE: 3/4" = 1'-0"

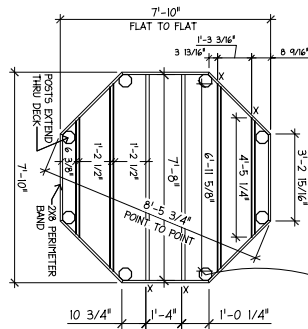
	NATURAL PLAYGROUNDS CO. 85 WARREN ST. CONCORD, NH 03301 (888)-290-8405 www.naturalplaygrounds.com	PROJECT: OCTAGONAL STAGE 8' DRAWN BY: MK SCALE: AS NOTED	DATE: 04/12/17 REV: 06/19/18	SHEET TITLE <h1 style="font-size: 2em; margin: 0;">P-3</h1>

Gazebos

Installation Instructions for all sizes of gazebos and stages

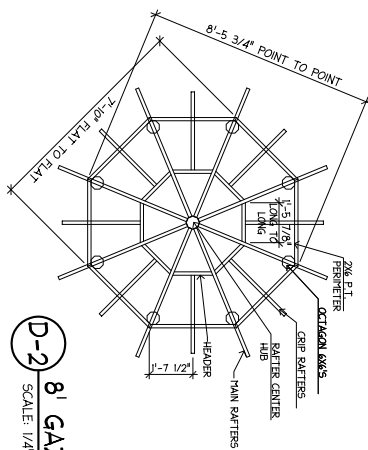
**NOTE:
MEASURE-
MENTS WILL
VARY
DEPENDING
ON THE SIZE
OF YOUR
GAZEBO**

D-1 8' GAZEBO DECK FRAME
SCALE: 1/4" = 1'-0"

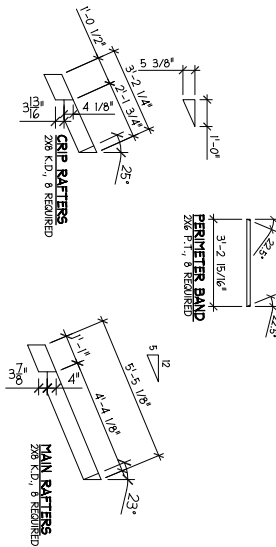


PERIMETER BAND-DECK
3'-2 15/16"
Z&B P.T., 1 REQUIRED
SCALE: 1-1/2" = 1'-0"

8 @ 8'-0" REQUIRED
SUPPORT POSTS
6X6 P.T., 8 REQUIRED
SCALE: 1-1/2" = 1'-0"

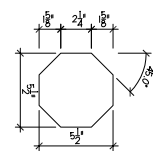


D-2 8' GAZEBO ROOF FRAME
SCALE: 1/4" = 1'-0"



PERIMETER BAND
3'-2 15/16"
Z&B P.T., 8 REQUIRED

MAIN RAFTERS
2@8 K.D., 8 REQUIRED



RAFTER CENTER HUB
6X6 P.T., 1 REQUIRED
SCALE: 1-1/2" = 1'-0"



NATURAL PLAYGROUNDS CO.
85 WARREN ST.
CONCORD, NH 03301
(888)-290-8405
www.naturalplaygrounds.com

PROJECT: 8' GAZEBO
DRAWN BY: ML DATE: 6/26/16
SCALE: AS NOTED REV: 01/27/17

SHEET TITLE:

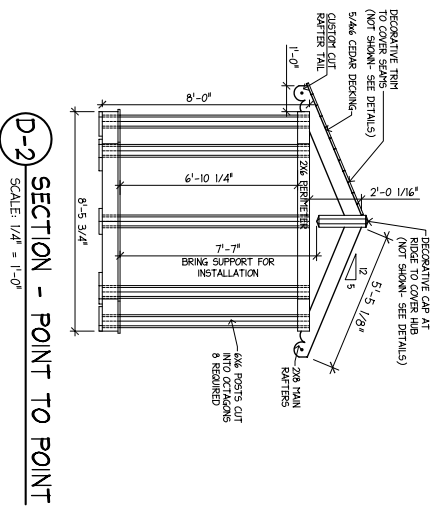
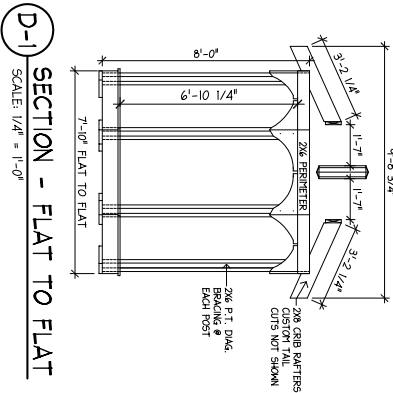
P-1

Gazebos

Installation Instructions

for all sizes of gazebos and stages

NOTE:
MEASURE-
MENTS WILL
VARY
DEPENDING
ON THE SIZE
OF YOUR
GAZEBO



NATURAL PLAYGROUNDS CO.
 85 WARREN ST.
 CONCORD, NH 03301
 (866)-290-8405
 www.naturalplaygrounds.com

PROJECT: 8' GAZEBO
 DRAWN BY: ML DATE: 6/26/16
 SCALE: AS NOTED REV: 01/27/17

SHEET TITLE:
